

optima[®]
www.optima.tc

ROTARY SWING TURNSTILE **RAG-201**

A photograph of a modern office hallway with glass walls and a turnstile in the foreground. The hallway is brightly lit with pendant lights. The turnstile is a sleek, vertical, metallic structure. The word "optima" is overlaid on the image in a large, bold, black font.

optima[®]

SECURITY SYSTEMS

ROTARY SWING TURNSTILE | **RAG-201**

Optima RAG201 rotary swing gates are the preferred choice for various applications as they are motorized turnstiles, they do not constitute obstacles in front of those who pass through and their flap length is higher as compared to three armed turnstiles. Most common applications include usage as disabled, emergency entrance and exit gates (control electronics can be integrated into an alarm system, ensuring the automatic opening of the flap), goods entrance/exit gates, VIP entrance/exit gates (passage of members of the protocol), etc.



SYSTEM SPECIFICATIONS

MODEL	RAG 201
Body	AIS 304-Grade Stainless Steel main body, (Black painted/ White painted/ Polished)
Flap	Tempered glass (plexiglass optional)
Mechanism	Motorized mechanism
Control electronics	Optima control board
Maintenance	Top cover can be easily removed for easy access to the control electronics
Energy failure	Turnstile opens in both directions
Passage width	550 mm (Standard) - 900 mm
Usage area	Suitable for indoor use.
Operation feature	Bi-directional (entrance-exit).
Environmental Conditions and Power Requirements	Between -15 C and +65 C, 95% non-condensing humidity; 220-240 VAC, mono phase, 50-60 Hz

- Turnstile closes flap by itself after adjusted time if a valid card is presented but person not passed
- Turnstile provides multiple passages to the persons when valid cards are presented to the card reader more than once

ACCESSORIES

Accessories marked with (*) are optional.

Optima cloud. To control gate operator by mobile devices (ios android), computer, etc *

Push button box *

Digital counter *

Logo print on the flaps *

Card reader system *

SCADA or any control system: It is possible to change and check the position of the turnstile with a touch screen control panel.

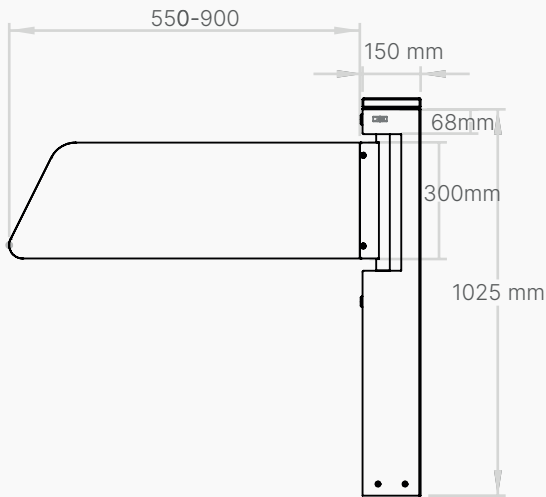
Card reader mounting plate with pedestal *

Stainless steel railing *

Uninterrupted power supply (UPS) *

DIMENSIONS

FRONT VIEW



TOP VIEW

